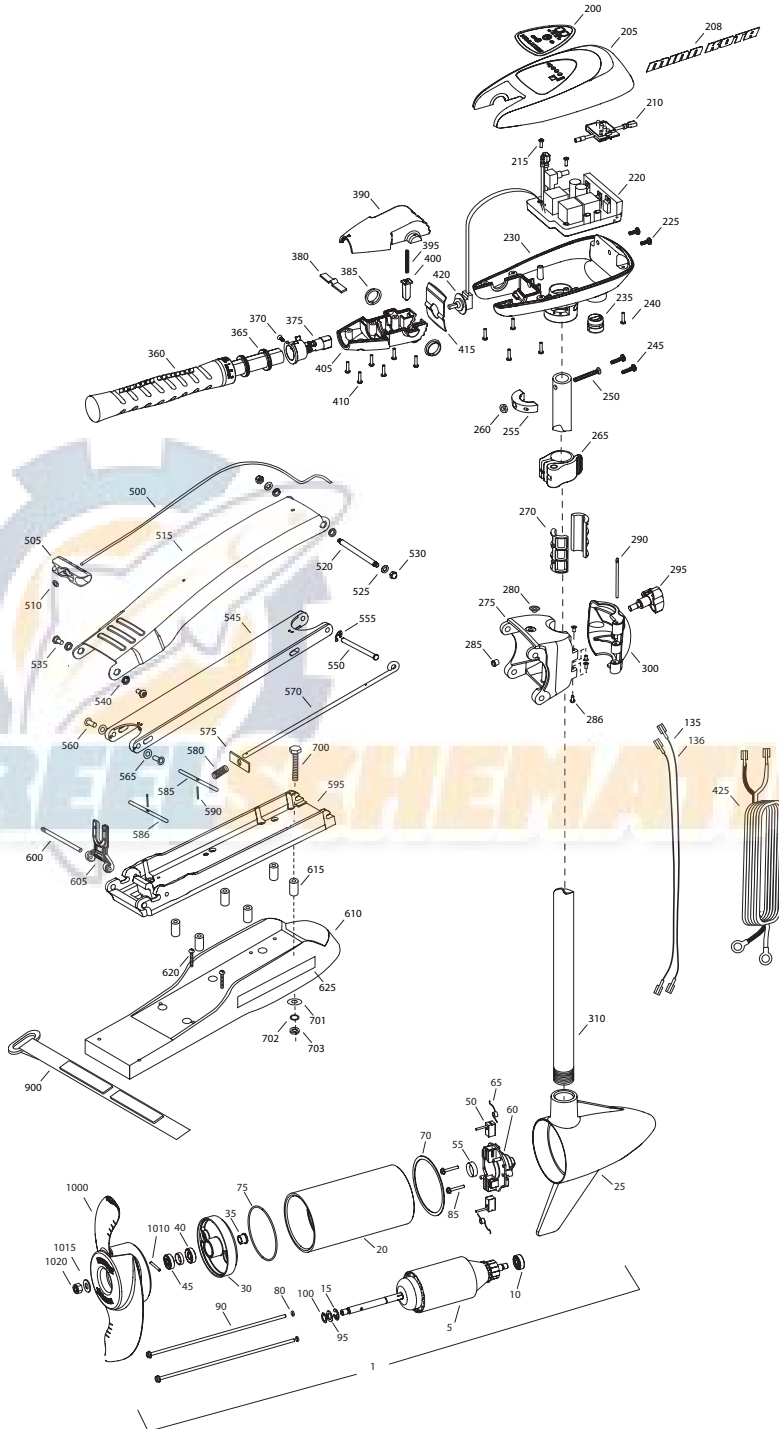


RT55/SM
55 LBS THRUST
12 VOLT 50 AMPS
52" SHAFT

for use with "P" serial numbers
2-year warranty



12-24-36 VOLT VARIABLE SPEED MODELS

THIS IS A UNIVERSAL MULTI-VOLTAGE DIAGRAM. DOUBLE CHECK YOUR MOTORS VOLTAGE FOR PROPER CONNECTIONS

Over-Current Protection Devices not shown in illustrations.
Riptide 55 is 12-volt only!

